



20-154

20-154 : ST-MODEL

Heavy constructed steel barrel paint finish. 445cc/150z capacity. V type pulling rod with side port for bulk loader or air bleeder, With plastic grip. Two way loading.

Capacity	CAT NO	CAT NO	Thread
	6"steel extension	12" flexible hose	
15oz	20-154	*20-174	1/8"BSP
15oz	*20-155	*20-175	M.10x1
15oz	*20-156	*20-176	1/8"NPT

*** Not Shown**



20-157 : ECONOMY MODEL

Heavy constructed steel barrel paint finish. 445cc/15oz capacity, half V type pulling rod

Capacity	CAT NO	CAT NO	Thread
	6" steel extension	12" flexible hose	
15oz	20-157	*20-177	1/8" BSP
15oz	*20-158	*20-178	M.10x1
15oz	*20-159	*20-179	1/8" NPT

* Not Shown



20-222 : BL MODEL

Heavy constructed steel paint finish body 650cc/20oz Capacity, V-type pulling rod, with bulk loader fitting with durable plastic grip. Lock lver mechanism for easier loading & bleeding.

Capacity	CAT NO	CAT NO	Thread
	6"steel extension	12" flexible hose	
20oz	20-224	*20-234	1/8"BSP
20oz	*20-225	*20-235	M.10x1
* Not Shown			





20-201 : SUPER MODEL

Heavy constructed steel barrel paint finish. 445cc/ 15oz capacity. Plastic T-type pulling rod. Lock lever mechanism for easier loading & bleeding with small bulk loader Three way loading (bulk, cartridge & grease gun filter).

Capacity	CAT NO	CAT NO	Thread
	6" steel extension	12" flexible hose	
15oz	20-201	*20-211	1/8" BSP
15oz	*20-202	*20-212	1/8" NPT

*** Not Shown**



20-203 : STANDARD LEVER ACTION GREASE GUN

Heavy constructed steel barrel. 445cc/15oz capacity, V & T type pulling rod. Two way or Three way loading (bulk, cartridge & grease gun filter.)

Three way loading			
Capacity	CAT NO	CAT NO	Thread
	6" steel extension	12" flexible hose	
15oz	20-203	*20-213	1/8" BSP
15oz	*20-204	*20-214	1/8" NPT
Two way loading			
Capacity	CAT NO	CAT NO	Thread
	6" steel extension	12" flexible hose	
15oz	20-205	*20-215	1/8" BSP
15oz	*20-206	*20-216	1/8" NPT
* Not Shown			



20-208

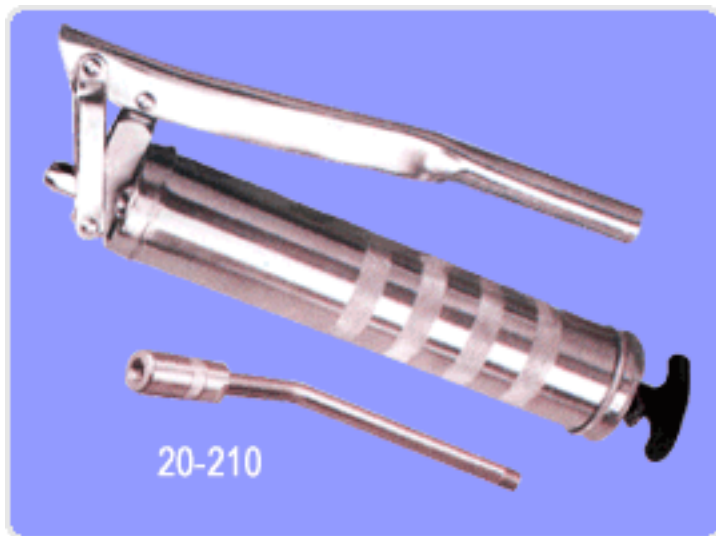
20-208 : STANDARD LEVER ACTION GREASE GUN WITH ROLED THREAD

445cc/15oz capacity V type pulling rod two way (bulk & cartridge) loading with roled thread on front cap.

Capacity	CAT NO	CAT NO	Thread
	6" steel extension	12" flexible hose	
15oz	20-207	*20-217	1/8"BSP
15oz	*20-208	*20-220	1/8"NPT

*** Not Shown**

[back](#) [next](#)



20-210 : STANDARD LEVER ACTION GREASE GUN WITH DELUXE MODEL

445cc/15oz capacity V & T type pulling rod. Two way (bulk, & cartridge) loading all body & head with chrome plated finish.

Capacity	CAT NO	CAT NO	Thread
	6"steel extension	12" flexible hose	
15oz	20-209	*20-219	1/8"BSP
15oz	*20-210	*20-220	1/8"NPT

*** Not Shown**



20-221 : HD MODEL

Heavy constructed steel paint finish body 445cc/15oz capacity. V & T type pulling rod. Lock lever mechanism for easier loading & bleeding. With air bleeder & bulk Loader fitting. Comfortable grip. Variable/short Stroke for easy use in confined areas. No. Additional Pressure or effort is required to lubricate effectively. Three way loading (bulk, cartridge & grease gun filter)

Capacity	CAT NO	CAT NO	Thread
	6"steel extension	12" flexible hose	
15oz	20-221	*20-231	1/8"BSP
15oz	*20-222	*20-232	1/8"NPT

*** Not Shown**



20-162 : LEVER GREASE GUN WITH DIE CAST HEAD

Heavy constructed steel barrel paint finish & die cast head, 445cc/ 15oz capacity. V & T type pulling rod as per order. Three way loading (bulk, cartridge & grease gun filter) **Half, quarter stroke facility**. Short stroke for ease of use in confined areas. Comfortable handle grip both side port for air bleeder & bulk loader.

Capacity	CAT NO	CAT NO	Thread
	6"steel extension	12" flexible hose	
15oz	*20-160	*20-180	1/8"BSP
15oz	*20-161	*20-181	M10x1
15oz	*20-162	*20-181	1/8"NPT

*** Not Shown**

[back](#) [next](#)



GREASE GUN PISTOL TYPE

Constructed of heavy duty steel. Designed for use in Confined spaces. Easy one hand operation Unique plunger design for easy cartridge loading & complete grease discharge. Side port for bulk loader & air bleeder. 2way loading (suction & cartridge) Lock lever mechanism for easier loading & bleeding. With V & T type pulling road. 445cc/15oz capacity.



Model No. 20-801

1/8"NPT connecting thread with 6" (150mm)straight delivery tube & jaw type coupler.

Model No. 20-802

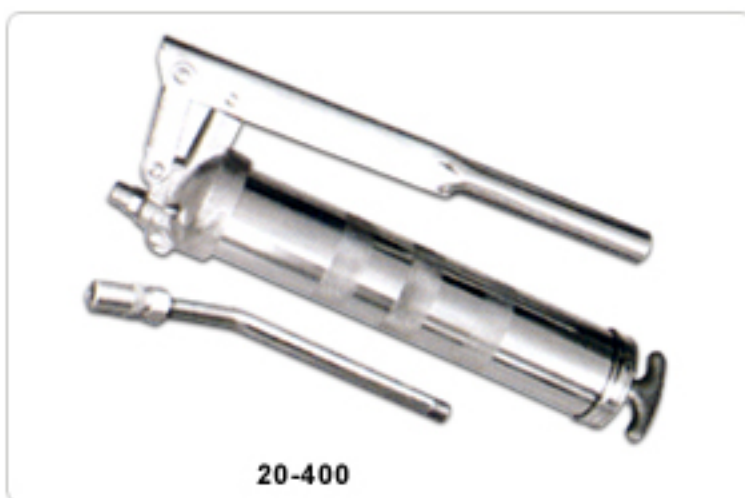
1/8"NPT connecting thread with 12" (300mm) flexible delivery Hose & jaw type coupler.

[back](#) [next](#)



PROFESSIONAL GREASE GUNS

Our professional grease gun for automotive professionals. Heavy constructed steel barrel 1.22mm wall thick 445cc/15oz capacity. Zinc-type pulling rod special designed plunger, plunger lock for easier loading and bleeding For the extra grip on barrel use in confined areas. No additional pressure or effort is required to lubricate effectively. Special designed air bleeder. Hand & grind special material piston. Side port for bulk loader.



20-400 : PROFESSIONAL LEVER ACTION GREASE GUN

Heavy constructed steel chrome plated body & Zinc plated steel casting head. Special material piston. Heavy duty grease gun designed for automotive professionals 445cc/15oz capacity with die cast-T type pulling rod Special designed air bleeder variable stroke mechanism. Special designed non return valve with 1/8"NPT thread 6" angled (15 Deg.) delivery tube with jaw type professional coupler. 2way loading (section & cartridge).



● 20-500 : HEAVY DUTY LEVER ACTION GREASE GUN

Heavy constructed steel chrome plated body with die casting head. Special material piston. Heavy duty grease gun designed for automotive professionals 445cc/15oz capacity with die cast-T type pulling rod Special designed air bleeder variable stroke mechanism. 6" angled (15 Deg.) delivery tube (1/8" NPT thread) with jaw type professional coupler. 2 way loading (section & cartridge.)



● 20-600 : PROFESSIONAL PISTOL GREASE GUN

Heavy constructed steel chrome plated body with die casting head. Special material piston. Heavy duty grease gun designed for automotive professionals. Designed for use in Confined spaces. Easy one hand operation 445cc/15oz capacity with die cast-T type pulling rod Special designed air bleeder. 6" straight delivery tube (1/8" NPT thread) with jaw type professional coupler. 2 way loading (section & cartridge) with lever lock handle.



20-300 : PROFESSIONAL PISTOL GREASE GUN MICRO

Heavy constructed steel chrome plated body with die casting head. special plunger designed. That one hand to reach jobs & use in confined spaces. use for 30z multi purpose grease. The delivery pipe are attached on two side as per requirment one is the 90 of barrel & the other is 180 of the barrel. 1/8" NPT connecting thread with 6" straight delivery tube with jaw type professional coupler with die cast T on the pulling rod.

[back](#) [next](#)



PISTOL GREASE GUN MINI

Heavy constructed steel body with die casting head. special plunger design. That one hand operated grease gun is perfect for hand to reach jobs & use in confined spaces. use for 3oz multi purpose grease.2 way loading (suction & cartridge) 1/8"NPT connecting thread with 3 1/2" straight delivery tube with jaw type standard coupler with steel. T on the pulling rod. with 3 1/2" straight delivery tube with jaw type standard coupler with steel. T on the pulling rod.



20-310 : PISTOL GREASE GUN MINI (DELUXE)

All chrome plated Deluxe body with steel T type pulling rod 3oz/85gms capacity. with 3 1/2" straight (1/8"NPT) Delivery pipe & standard coupler



20-320 : PISTOL GREASE GUN MINI

All painted body with steel T type pulling rod 3oz/85 gms capacity with 3 1/2" straight (1/8" NPT) Delivery pipe & standard coupler.

SUPER PISTOL GREASE GUNS

Heavy constructed steel body with die casting head. special plunger design. That one hand operated grease gun is perfect for hand to reach jobs & use in confined spaces. use for 445cc/ 15oz multi purpose grease. The delivery pipe are attached on two side as per requirement one is the 90 of barrel & the other is 180 of the barrel. 1/8" Npt connecting thread with 6" straight delivery tube with jaw type standard coupler with V & T type pulling rod. Three way loading (bulk, cartridge & grease gun filter)



Model No 20-611 :-

All chrome plated Deluxe body with steel T type pulling rod 445cc/ 15oz capacity with 6" straight (1/8"NPT) Delivery pipe & standard coupler.



Model No 20-612 :-

All painted body with steel T type pulling rod 445cc/ 15oz capacity with 6" straight (1/8"NPT) Delivery pipe & standard coupler.

[back](#) [next](#)



PUSH TYPE GREASE GUNS

That grease gun with bulk grease only. Comes with universal connector. Excellent for industrial, automotive & agricultural applications.



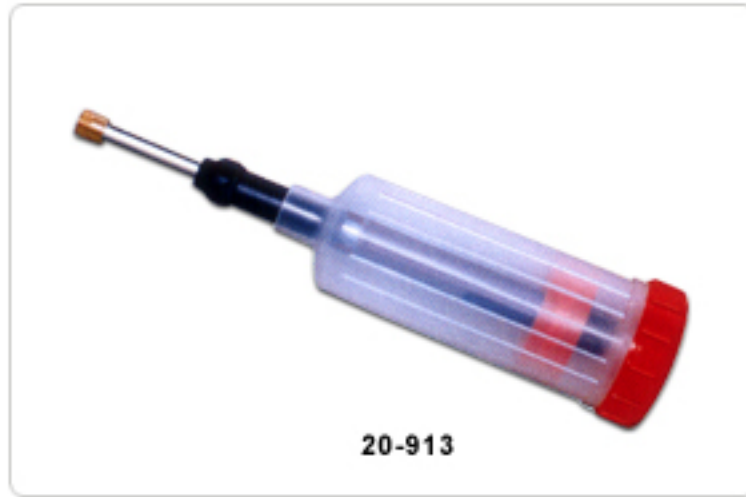
Model No. 20-911

- ...▶ Oil grease gun made in light weight material.
- ...▶ 100cc capacity.
- ...▶ Delivery with pointed tip.



Model No. 20-912

- ...▶ Oil grease gun made in light weight material.
- ...▶ 100cc capacity.
- ...▶ Delivery with universal connector (M10 x 1 thread).



Model No. 20-913

- ...▶ Oil grease gun made in light weight material.
- ...▶ 150cc capacity.
- ...▶ Delivery with pointed tip.



Model No. 20-915

- ...▶ Heavy constructed steel body with glossy finish.
- ...▶ 150cc capacity.
- ...▶ Delivery with universal connector
- ...▶ Delivery pipe thread 1/8"BSPT.



Model No. 20-916

- ...▶ Heavy constructed steel body with glossy finish.
- ...▶ 150cc capacity.
- ...▶ Delivery with universal connector
- ...▶ Delivery pipe thread 1/8"BSPT.

Model No. 20-951

D-Type pointed Tip with M10 x 1 thread

Model No. 20-952

D-Type pointed Tip with 1/8"BSPT thread.

Model No. 20-953

H& K -Type Universal Tip with 1/8"BSPT thread.

SCREW GUNS

- ...▶ Heavy constructed steel body with glossy finish.
- ...▶ 80z/200cc capacity.
- ...▶ Delivery with grease gun coupler.



Model No. 20-921

Paint finish body with steel Tee type handle.

Model No. *20-931

Paint finish body without delivery spout.

Model No. 20-922

Chrome finish body with Tee type handle.

Model No. *20-932

Chrome finish body without delivery spout.

[back](#)